



2022

PRODUCT CATALOG

Your only source for **NO-SLACK** technology



We make it **EASY**



www.fifthwheel.com

Fontaine Fifth Wheel No-Slack®

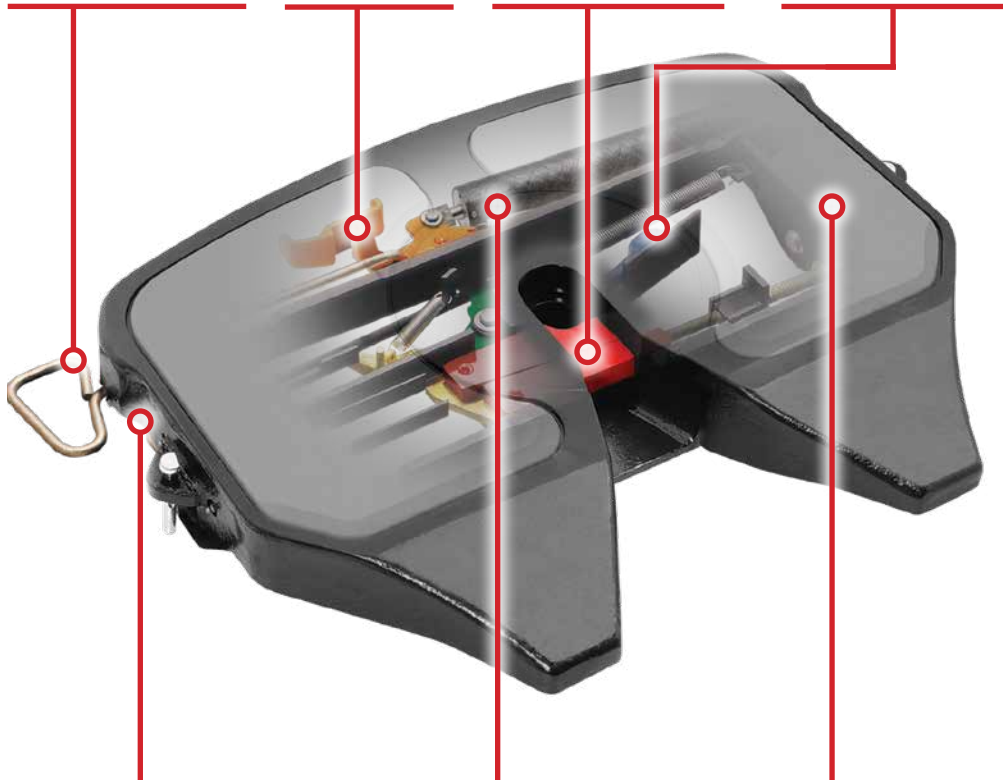
The world's only self-adjusting fifth wheel lock

Pull handle is the easiest to operate in the industry—no complicated opening sequence to remember

Built in secondary lock

No-Slack® lock is self-adjusting to give you a snug, secure connection

Locking trigger helps minimize high-hitching to reduce tractor, trailer and tire damage



Steel construction with a larger surface contact area for greater strength and stability

Optional in-cab air release* only opens when the parking brake is set.

Clean Connect™ reduces friction between the top plate and the trailer plate (available on 7000CC series)

**For new truck builds, Fontaine supplies an air cylinder in the fifth wheel. All other components for in-cab air release are supplied and installed by the truck OEM. For retrofitting standard release models, contact your Fontaine sales representative.*



For weight savings top plates, mounts and assemblies, look for this symbol.



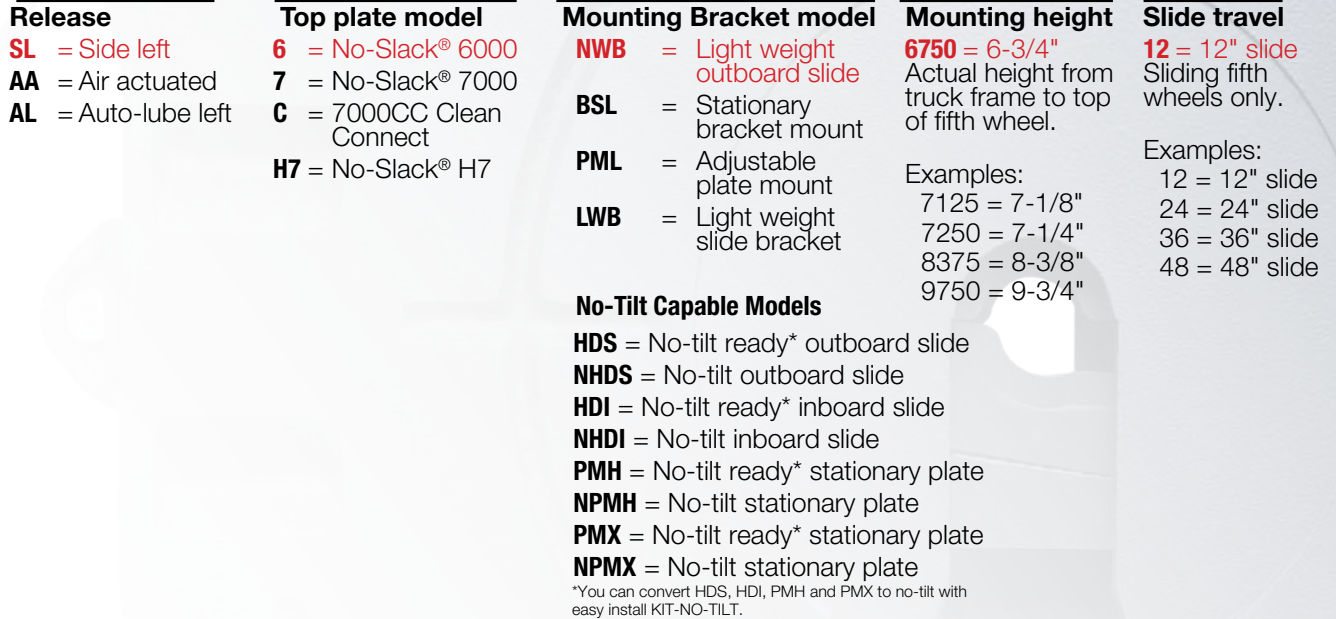
For new innovative Fontaine Fifth Wheel products look for this symbol

Part Number Identification

This guide explains the nomenclature for Fontaine Fifth Wheel complete assembly part numbers.

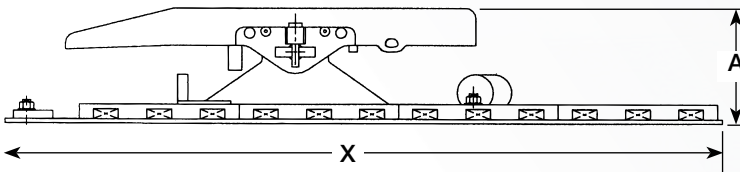
See example part number at right:

SL6NWB675012



Measurements & Serial Number Location

How do I measure a fifth wheel?



The installed height of all Fontaine models is measured from the top of the truck frame to the top of the fifth wheel. For standard models dimension "A" is a part of the model number. For example, if dimension "A" in this diagram is 7.25 inches, it would appear in the model number as 7250 (Example: SL7LWB**7250**24).

How do I find the serial number

Serial number engraved directly into the right side of fifth wheel skirt. Note: position 5 and 6 of the serial number indicates the year built. Serial number is always 9 digits.



No-Slack® right side view
serial number location



No-Slack® Top Plate Options

No-Slack® 6000 series

Up to 95,000 lbs gross combination weight (GCW) if used on an NWB
Up to 115,000 lbs gross combination weight (GCW) PML, LWB
50,000 lbs vertical load

The Fontaine 6000 Series pressed steel fifth wheel cuts weight without cutting performance or load rating. The proven design was made possible by Finite Element Analysis technology and strategic placement of high strength alloy steel. This lighter 6000 Series No-Slack® fifth wheel combined with NWB mounting bracket is approximately 60 lbs lighter with no reduction in load ratings. The 6000 features the same legendary No-Slack® locking technology. Lock automatically self-adjusts to the trailer kingpin for a smoother ride, lower maintenance costs and longer component life. The 6000 series is rated for standard to moderate duty on-highway use only, including tankers. Some restrictions may apply please see LT-076 application guide on website for details.



No-Slack® 7000 series

Up to 115,000 lbs gross combination weight (GCW) if used on an PML or LWB
Up to 140,000 lbs gross combination weight (GCW) PMH, PMX, HDI or HDS
55,000 lbs vertical load

The 7000 series offers all the benefits of our 6000 series, but in a cast design rather than pressed steel. It features the self-adjusting No-Slack® locking mechanism. Some restrictions may apply please see LT-076 application guide on website for details. The 7000 is also available on the new no-tilt fifth wheel assemblies to accommodate frameless dump applications.



No-Slack® 7000CC series Clean Connect™

Up to 115,000 lbs gross combination weight (GCW) if used on an PML or LWB
55,000 lbs vertical load

The 7000CC series Clean-Connect™ offers all the benefits of the 7000 series fifth wheels plus the added benefit of a grease free top plate surface. With Clean-Connect™ technology the fifth wheel no longer requires grease to lubricate between the top plate surface and the trailer coupling plate. This eliminates the labor costs, materials and downtime associated with greasing the top plate surface. Some restrictions may apply please see LT-076 application guide on website for details.



No-Slack® H7 Heavy Duty Series

Up to 180,000 lbs gross combination weight (GCW) if used on PMH, PMX, HDI or HDS
70,000 lbs vertical load

The H7 Series offers all the benefits of No-Slack® technology in a steel reinforced cast housing. This rugged workhorse is rated for standard to severe duty applications with a Gross Combination Weight (GCW) that can exceed 140,000 lbs. (63,500 kgs). Some restrictions may apply please see LT-076 application guide on website for details. The H7 is available on the new no-tilt fifth wheel assemblies to accommodate frameless dump applications.



Fifth Wheel Assembly Options

Air Actuated

Fontaine's air actuated No-Slack® fifth wheels open with a release valve located on the dash.
(6000/7000/7000CC)

Specify "AA"

Air actuated models include an air cylinder



Slide Stops

Optional inserts to limit forward slide travel.

Consult Fontaine Fifth Wheel

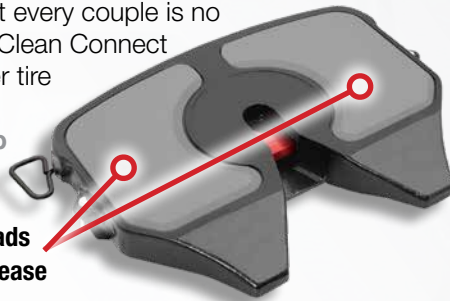


Clean Connect

Clean Connect™ insert pads act as a lubricant between the top plate surface and the trailer coupling plate without using any grease! Now you can lower operating cost because the grease and the labor to apply the grease at every couple is no longer necessary. Clean Connect also improves steer tire wear. (7000CC).

Specify "SLC Top Plate"

Clean Connect pads do not require grease



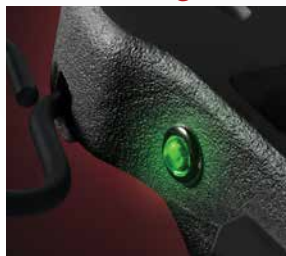
No-Tilt Fifth Wheels

HDS, HDI, PMH or PMX mounts can be converted to no-tilt fifth wheels by ordering easy to install kit (part number **KIT-NO-TILT**). No-Tilt can also be ordered with kit already installed see heavy/severe-duty section of catalog.



Fontaine SmartConnect™ Coming Soon!

Fontaine SmartConnect™ is an information system that will give you the data you need to make better fifth wheel operating and maintenance decisions at a fleet level. The system informs the driver about the current fifth wheel lock status while upcoming software upgrades will add even greater functionality including:



- Predictive maintenance modeling and telematics support (let's you know when to adjust or rebuild your fifth wheel)
- Add-on sensors for kingpin monitoring and trailer position
- Autonomous truck operation system support

System upgrades will integrate seamlessly with this first generation. High-end components are employed for greater reliability and durability, and the system is loaded with useful features and benefits to help your fleet run more efficiently. Contact Fontaine for order information.

Special Stationary Mount Models



Scan code or search "oem" at fifthwheel.com and choose "Specialty stationary mounts"



Important Application Notes

Top plate selection notes:

- For No-Slack® features see page 2. For fifth wheel top plate selection guide see page 4. Air activated release styles are available on select models.

Mount selection notes:

- A sliding mount gives the owner more options. You can transfer weight between tractor axles, handle trailers with different kingpin settings, and vary vehicle combination lengths. A sliding mount fifth wheel also provides additional maneuverability, accommodates trailers with short landing gear clearance and allows the driver to extend the unit for maximum comfort when weight allows. If you choose a sliding mount, Fontaine offers a wide selection of slide lengths.

Stationary mount fifth wheels (plate or angle mounts) are an option and are ideal for applications where the trailer kingpin setting, axle loading and vehicle length all remain the same for the entire fleet. Stationary mount fifth wheels are usually lighter than sliding mount fifth wheels.

Important application notes:

- If any single restriction factor within your application is surpassed within a given duty level, the next duty level must be selected.
- For more information on standard, moderate and severe duty, please review the **duty class restrictions** on page 7.
- When selecting a fifth wheel, if the application or vehicle usage places the maximum capacity on a certain fifth wheel, then the selection of a fifth wheel with a higher capacity is advised. For example, a tractor that is at a maximum vertical load of 50,000 lbs in a moderate duty application should be using a fifth wheel with a vertical load capacity of 55,000 lbs or greater. This additional capacity should give better service life over a longer period of time.

Special applications:

- All logging, mining and oil field applications are considered severe duty. Do not select assemblies in the standard or moderate levels when a special application is designated.



Minimum static load warning:

- Minimum static load warning!!! The trailer that is attached to the fifth wheel should impose a consistent vertical load. Repeated negative loading (trying to pull the fifth wheel off of the brackets with the kingpin) is not allowed. A minimum static load applied to the fifth wheel through the trailer is 10% of the gross trailer weight. See the load rating for the specific fifth wheel for maximum vertical load values.



Van trailers



Tankers and bulk trailers



Flatbeds, stretch and stake trailers



Lowbed trailers



Framed end and frameless dump trailers

Important: Contact your OEM or Fontaine Fifth Wheel for more information on the right fifth wheel for your application. Please refer to the Fontaine Fifth Wheel warranty statement for important warranty information. Selecting assemblies in conflict with this application guide without prior written approval from Fontaine engineering voids all warranties. For more information about duty class restrictions and applications see LT-076: Application guide at fifthwheel.com in the Literature section. LT-001: Instruction manual is also available in the Literature section.

Duty Class Restrictions

With the Fontaine Fifth Wheel complete product line you can easily select the perfect fifth wheel for your application. We offer top plates and mounting options in a wide variety of sizes to handle even the most demanding applications.

To specify the right fifth wheel for your application two factors must be considered: load capacity and service conditions.

“Weight” refers to the amount of weight that a fifth wheel can handle. “Road type” refers to the operating environment and the type of equipment used in an application. “Travel type” refers to mileage between stops.

You don’t choose a top plate based on “weight” only. Consider service conditions because a heavy load pulled on a paved road places less stress on a fifth wheel than a lighter load pulled in severe off-highway conditions.

The duty class restriction chart at right and No-Slack® top plate options chart (page 4) can be used as a guide to help you select the right fifth wheel.

Fontaine has an application guide (LT-076) that can be obtained at: www.fifthwheel.com (Choose “Support” and then “Spec My Truck”).

If you need further assistance contact Fontaine Fifth Wheel at: 800-874-9780.



On-line selection guide is available. Scan code or go to: www.fifthwheel.com Choose “Support” then choose “Spec My Truck”

Standard Duty	
Weight:	Less than 95,000 lbs (43,000 kgs) gross combination weight (GCW)
Road type:	100% on-highway application on maintained concrete or asphalt roads
Travel type:	More than 30 miles between each couple
Axle limitation:	Maximum number of towed axles equals 3

Moderate Duty	
Weight:	Less than 115,000 lbs (52,000 kgs) gross combination weight (GCW)
Road type:	Less than 10% off-highway application on maintained concrete, asphalt, gravel or crushed rock roads
Travel type:	No minimum mileage between couples
Axle limitation:	Maximum number of towed axles equals 4

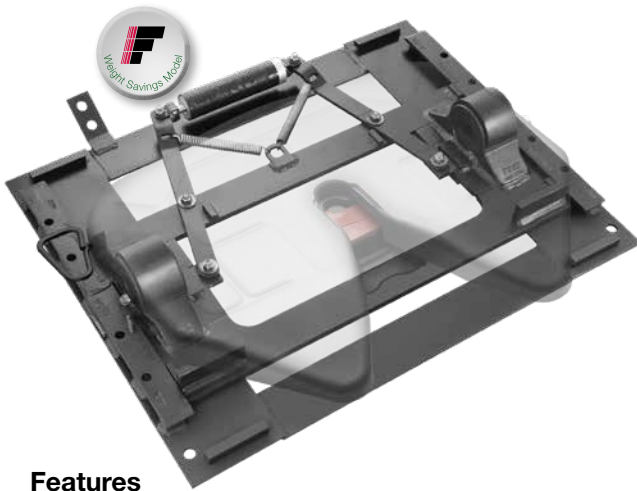
Heavy Duty	
Weight:	Less than 140,000 lbs. (63,500 kg.) gross combination weight (GCW)"
Road type:	Less than 10% off-highway application on maintained concrete, asphalt, gravel or crushed rock roads
Travel type:	No minimum mileage between couples.
Axle limitation:	No axle limitations

Severe Duty	
Weight:	More than 115,000 lbs (52,000 kgs) gross combination weight (GCW)
Road type:	Any off-highway application on all road types including non-maintained roads
Travel type:	No minimum mileage between couples
Axle limitation:	No axle limitations
Special applications:	All logging, mining and oil field applications fall into this category regardless of anticipated weight, road type or number of axles



Standard Duty Air Slide Assemblies

Light Weight Air Slide No-Slack® 6000 NWB Slide



No-Slack® 6000
50,000 lbs vertical load
Up to 95,000 lbs GCW

Part Number	Fifth Wheel Height	Slide Length	Weight
SL6NWB675012	6-3/4"	12"	372 lbs
SL6NWB675024		24"	393 lbs
SL6NWB775012	7-3/4"	12"	378 lbs
SL6NWB775024		24"	399 lbs
SL6NWB875012	8-3/4"	12"	383 lbs
SL6NWB875024		24"	404 lbs

Options

- Air actuated (replace **SL** with **AA**): add 5 lbs

Features

- Innovative weight saving design makes the NWB the lightest steel slide system available – helps fleets offset heavy emission system components
- 40-70 lbs lighter than competitive slide systems
- Improved fuel economy and low up-charge make the NWB very attractive to weight-sensitive, cost-conscious fleets
- Computer-aided design features a smaller footprint with steel reinforcement for strength and durability
- New greaseless bracket liner provides consistent lubrication, reduces wear (no metal-to-metal contact) and cuts maintenance costs
- Dual durometer two-piece bushing for improved shock absorption and easier maintenance

Standard/Moderate Duty Plate Mount Assemblies

Adjustable Plate Mount No-Slack® 6000, 7000 & 7000CC PML



6000
50,000 lbs
vertical load
Up to 95,000
lbs GCW



7000
55,000 lbs
vertical load
Up to 140,000
lbs GCW



7000CC Clean
Connect
55,000 lbs
vertical load
Up to 140,000 lbs
GCW

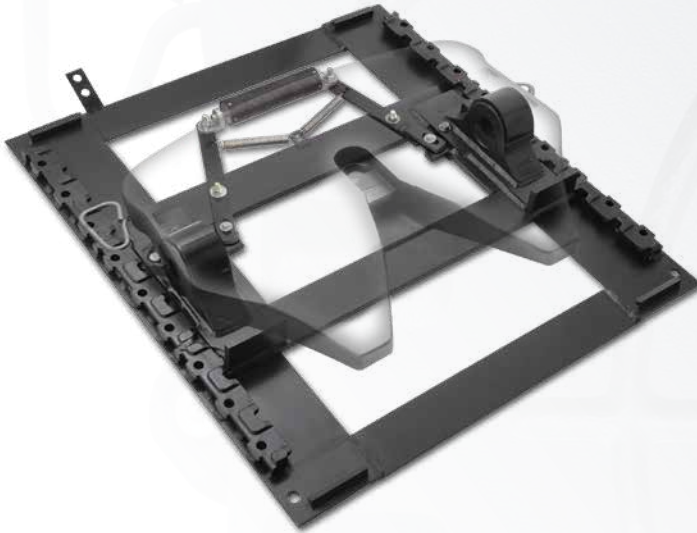
6000 PML Part Number	7000 PML Part Number (Add 39 lbs)	7000CC PML Part Number (Add 42 lbs)	Fifth Wheel Height	6000 Weight
SL6PML6250	SL7PML6250	SLCPML6250	6-1/4"	279 lbs
SL6PML7250	SL7PML7250	SLCPML7250	7-1/4"	286 lbs
SL6PML8250	SL7PML8250	SLCPML8250	8-1/4"	294 lbs
SL6PML9250	SL7PML9250	SLCPML9250	9-1/4"	299 lbs
SL6PML10250	SL7PML10250	SLCPML10250	10-1/4"	325 lbs

Features

- Two-inch adjustment increments give you greater versatility for improved payload distribution
- Computer design technology cuts excess weight without sacrificing one pound of capacity
- New greaseless bracket liner gives you consistent lubrication, reduces wear (no metal-to-metal contact) and cuts maintenance costs
- Dual durometer two-piece bushing for improved shock absorption and better support
- Auto-lube left (replace **SL** with **AL**) Auto-lube models are drilled and tapped for lube system (7000)
- Computer designed cast bracket for lighter weight and greater strength
- Brackets are welded to a 3/8" steel plate that has six bolt holes on each side

Standard/Moderate Duty Air Slide Assemblies

Air Slide No-Slack® 6000, 7000 & 7000CC LWB



6000
50,000 lbs
vertical load
Up to
95,000 lbs
GCW

7000
55,000 lbs
vertical load
Up to
140,000 lbs
GCW

7000CC Clean
Connect
55,000 lbs
vertical load
Up to
140,000 lbs GCW

6000 LWB Part Number	7000 LWB Part Number (Add 36 lbs)	7000CC LWB Part Number (Add 39 lbs)	Fifth Wheel Height	Slide Length	6000 Weight
SL6LWB675012	SL7LWB675012	SLCLWB675012	6-3/4"	12"	402 lbs
SL6LWB675016	SL7LWB675016	SLCLWB675016		16"	416 lbs
SL6LWB675024	SL7LWB675024	SLCLWB675024		24"	422 lbs
SL6LWB675036	SL7LWB675036	SLCLWB675036		36"	450 lbs
SL6LWB675048	SL7LWB675048	SLCLWB675048		48"	472 lbs
SL6LWB725012	SL7LWB725012	SLCLWB725012	7-1/4"	12"	405 lbs
SL6LWB725016	SL7LWB725016	SLCLWB725016		16"	419 lbs
SL6LWB725024	SL7LWB725024	SLCLWB725024		24"	425 lbs
SL6LWB725036	SL7LWB725036	SLCLWB725036		36"	453 lbs
SL6LWB725048	SL7LWB725048	SLCLWB725048		48"	475 lbs
SL6LWB825012	SL7LWB825012	SLCLWB825012	8-1/4"	12"	410 lbs
SL6LWB825016	SL7LWB825016	SLCLWB825016		16"	424 lbs
SL6LWB825024	SL7LWB825024	SLCLWB825024		24"	430 lbs
SL6LWB825036	SL7LWB825036	SLCLWB825036		36"	458 lbs
SL6LWB825048	SL7LWB825048	SLCLWB825048		48"	480 lbs
SL6LWB925012	SL7LWB925012	SLCLWB925012	9-1/4"	12"	415 lbs
SL6LWB925016	SL7LWB925016	SLCLWB925016		16"	429 lbs
SL6LWB925024	SL7LWB925024	SLCLWB925024		24"	435 lbs
SL6LWB925036	SL7LWB925036	SLCLWB925036		36"	463 lbs
SL6LWB925048	SL7LWB925048	SLCLWB925048		48"	485 lbs
SL6LWB1025012	SL7LWB1025012	SLCLWB1025012	10-1/4"	12"	420 lbs
SL6LWB1025016	SL7LWB1025016	SLCLWB1025016		16"	434 lbs
SL6LWB1025024	SL7LWB1025024	SLCLWB1025024		24"	440 lbs
SL6LWB1025036	SL7LWB1025036	SLCLWB1025036		36"	468 lbs
SL6LWB1025048	SL7LWB1025048	SLCLWB1025048		48"	490 lbs

Features

- Innovative weight saving design is lighter than its predecessor without losing an ounce of capacity!
- Save 20 to 50 lbs depending on configuration
- Computer-aided design features a smaller footprint with steel reinforcement for strength and durability
- New greaseless bracket liner provides consistent lubrication, reduces wear (no metal-to-metal contact) and cuts maintenance costs
- Two-inch slide increments give you greater versatility for improved payload distribution
- Quad-Lock four-point locking system increases locking surface area for greater stability and improved wear characteristics
- Automatically removes slack from the slide assembly for a smoother ride and longer life
- Dual durometer two-piece bushing for improved shock absorption and easier maintenance

Options (see page 5)

- Air actuated (replace **SL** with **AA**): add 5 lbs
- Auto-lube left (replace **SL** with **AL**) Auto-lube models are drilled and tapped for lube system (7000)



Introducing No-Tilt

The fifth wheel that thinks it's a convertible.

Remember the days when you hassled with all kinds of awkward, dirty, heavy and frustrating contraptions to engage/disengage a no-tilt fifth wheel? Well, those days are gone. Forever. The new line of Fontaine heavy/severe-duty fifth wheels features an integrated design concept to handle no-tilt applications with ease.

All you need is a 7000 or H7 Series No-Slack[®] top plate combined with one of our fully assembled no-tilt mounts. Or you can convert any of our new heavy/severe-duty fifth wheels to no-tilt by bolting on the no-tilt aftermarket kit (See photo below).

✓ **Easy to operate**—Simply disengage four stops to switch from a no-tilt to a rocking fifth wheel. **Quick. Easy. NO TOOLS.**

✓ **Built to take it**—These robust fifth wheels handle the toughest loads with improved stability on the road and at the job site.

✓ **Convertible design**—Adding Fontaine Part Number: **KIT-NO-TILT** to an HDS, HDI, PMH or PMX mount converts the fifth wheel to a No-Tilt (**N**) model. Example: convert the Heavy-Duty Slide (HDS) to No-Tilt Heavy-Duty Slide (**NHDS**) by simply bolting on the kit.

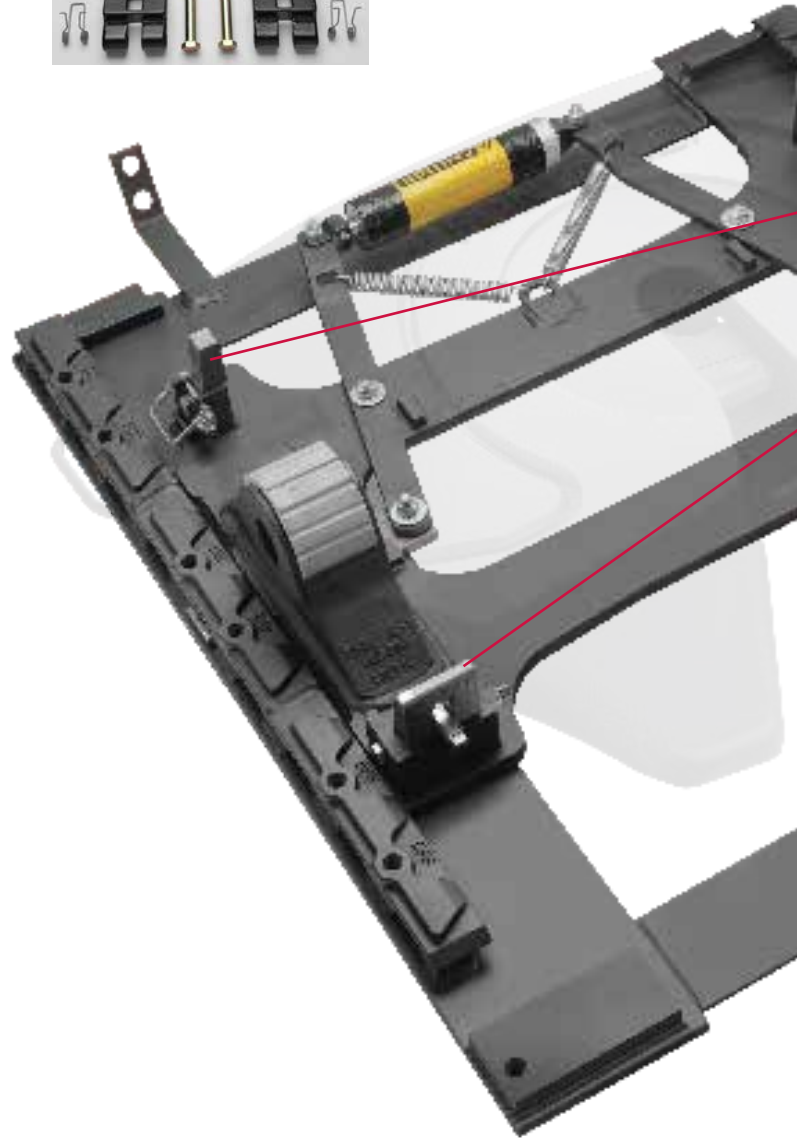
✓ **Add flexibility to your fleet** with these durable, convertible fifth wheel mounts—perfect for frameless dump applications.

New Fontaine Heavy-Duty/ Severe-Duty Fifth Wheel Mounts	
Model Number	Description
HDS	Heavy/Severe-Duty Slide Outboard mount
NHDS	No-Tilt Heavy/Severe-Duty Slide Outboard mount
HDI	Heavy/Severe-Duty Slide Inboard angle mount
NHDI	No-Tilt Heavy/Severe-Duty Slide Inboard angle mount
PMH	Plate Mount Heavy/Severe-Duty 37 1/4" bolt centers
NPMH	No-Tilt Plate Mount Heavy/Severe-Duty 37 1/4" centers
PMX	Plate Mount Heavy/Severe-Duty 38" bolt centers
NPMX	No-Tilt Plate Mount Heavy/Severe-Duty 38" bolt centers

Easy install no-tilt kits available



Adding Part Number: **KIT-NO-TILT** to HDS, HDI, PMH or PMX mounts converts the fifth wheel to No-Tilt. Easy to install ... in minutes!



Heavy/Severe-Duty No-Slack[®] top plates that get it done!



7000 Series
Heavy-Duty
55,000 lbs vertical load
Up to 140,000 lbs GCW




H7 Series
Heavy/Severe-Duty
70,000 lbs vertical load
Up to 180,000 lbs GCW

For more information contact your Fontaine representative or visit www.fifthwheel.com



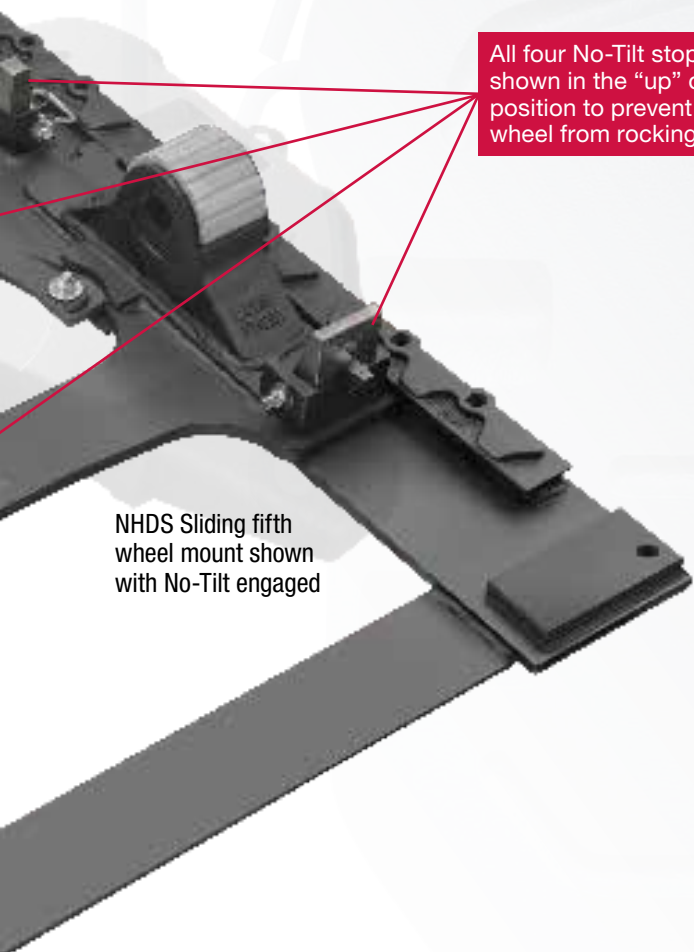
FONTAINE ADVANCED DESIGN NO-TILT FIFTH WHEELS

Built tough and easy to operate




All four No-Tilt stops are shown in the "up" or engaged position to prevent the fifth wheel from rocking

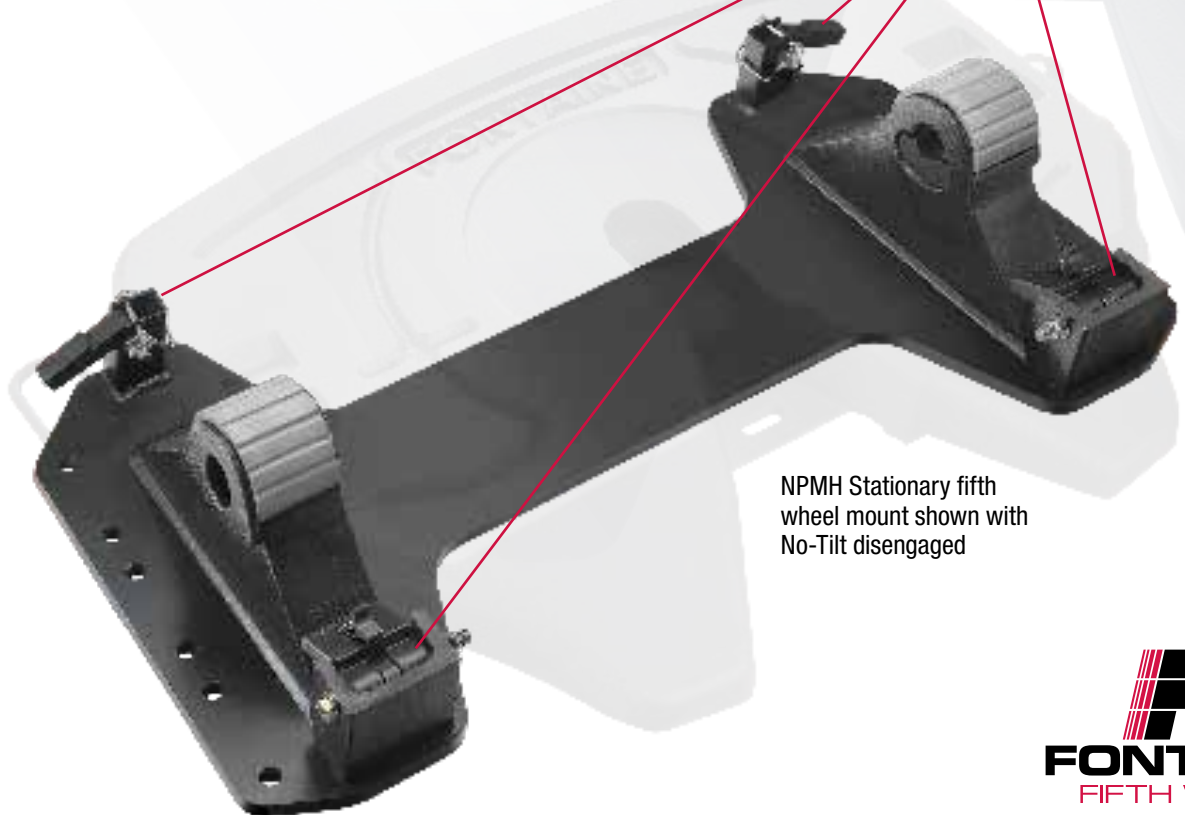
Simply disengage the four stops to switch from a No-Tilt to a rocking fifth wheel. Quick. Easy. **NO TOOLS.**



NHDS Sliding fifth wheel mount shown with No-Tilt engaged



All four No-Tilt stops are shown in the "down" or disengaged position to allow the fifth wheel to rock back and forth



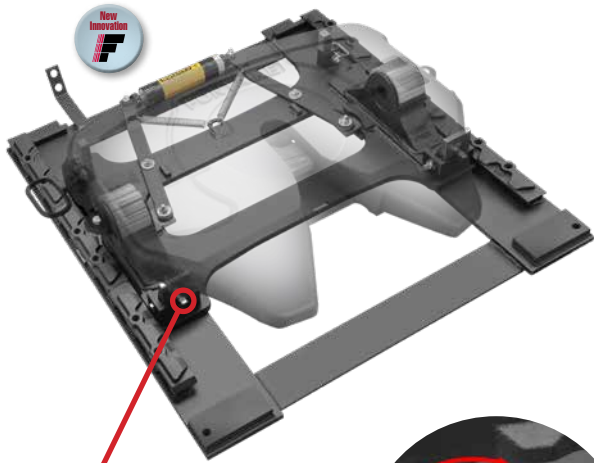
NPMH Stationary fifth wheel mount shown with No-Tilt disengaged

Heavy/Severe-Duty Air Slide Assemblies

Air Slide

No-Slack® 7000/H7 HDS

Heavy/Severe-Duty Slide **Outboard** Mounts



NO-TILT option for frame dump applications—simply flip the four levers on the mount to block the fifth wheel from rocking



Features

- **New** adjustable tilt/no-tilt slide assemblies
- Replaces Fontaine AWB sliding assemblies
- Easy to operate—Simply disengage four stops to switch from a no-tilt to a rocking fifth wheel. Quick. Easy. NO TOOLS.
- Built to take it—These robust fifth wheels handle the toughest loads with improved stability on the road and at the job site.
- Add flexibility to your fleet with these durable, convertible fifth wheel mounts—perfect for standard and frameless dump applications.
- An air cylinder drives a mechanical linkage to release the slide locking wedges



7000

55,000 lbs vertical load

Up to 140,000 lbs GCW



H7

70,000 lbs vertical load

Up to 180,000 lbs GCW

7000 HDS Part Number	H7 HDS Part Number (Add 70 lbs)	Fifth Wheel Height	Slide Length	7000 Weight
SL7HDS700012	SLH7HDS700012	7"	12"	492
SL7HDS800012	SLH7HDS800012	8"		499
SL7HDS900012	SLH7HDS900012	9"		508
SL7HDS100012	SLH7HDS100012	10"	24"	518
SL7HDS700024	SLH7HDS700024	7"		514
SL7HDS800024	SLH7HDS800024	8"		522
SL7HDS900024	SLH7HDS900024	9"	36"	531
SL7HDS100024	SLH7HDS100024	10"		540
SL7HDS700036	SLH7HDS700036	7"		544
SL7HDS800036	SLH7HDS800036	8"	48"	552
SL7HDS900036	SLH7HDS900036	9"		561
SL7HDS100036	SLH7HDS100036	10"		570
SL7HDS700048	SLH7HDS700048	7"	60"	573
SL7HDS800048	SLH7HDS800048	8"		581
SL7HDS900048	SLH7HDS900048	9"		590
SL7HDS100048	SLH7HDS100048	10"	72"	600
SL7HDS700060	SLH7HDS700060	7"		595
SL7HDS800060	SLH7HDS800060	8"		603
SL7HDS900060	SLH7HDS900060	9"	72"	612
SL7HDS100060	SLH7HDS100060	10"		622
SL7HDS700072	SLH7HDS700072	7"		618
SL7HDS800072	SLH7HDS800072	8"	72"	626
SL7HDS900072	SLH7HDS900072	9"		635
SL7HDS100072	SLH7HDS100072	10"		645

No-Tilt: To order with no-tilt hardware installed add **N** after fifth wheel code. Example: SL7**N**HDS800012. No-tilt hardware adds 8 lbs to assembly.



Aftermarket No-Tilt Kit. HDS mounts can be converted to no-tilt fifth wheels by ordering easy to install kit (part number **KIT-NO-TILT**). Same kit works for HDS, HDI, PMH or PMX mounts.

No-tilt mount kits are not available for 7" height fifth wheels.



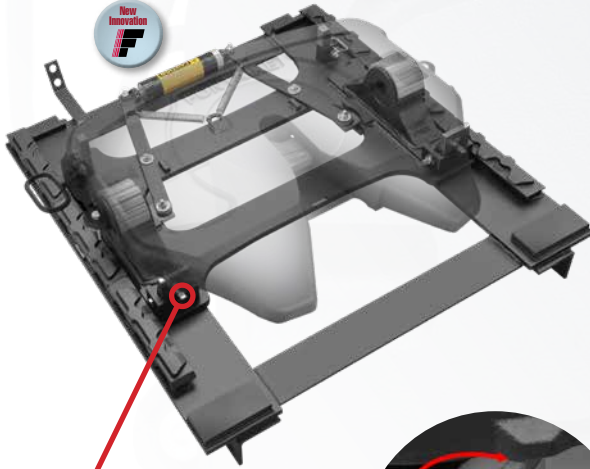
Scan for no-tilt brochure

Heavy/Severe-Duty Air Slide Assemblies

Air Slide

No-Slack® 7000/H7 HDI

Heavy/Severe-Duty Slide Inboard Angle Mounts



NO-TILT option for frame dump applications—simply flip the four levers on the mount to block the fifth wheel from rocking



Features

- **New** adjustable tilt/no-tilt slide assemblies
- Easy to operate—Simply disengage four stops to switch from a no-tilt to a rocking fifth wheel. Quick. Easy. NO TOOLS.
- Built to take it—These robust fifth wheels handle the toughest loads with improved stability on the road and at the job site.
- Add flexibility to your fleet with these durable, convertible fifth wheel mounts—perfect for standard and frameless dump applications.
- An air cylinder drives a mechanical linkage to release the slide locking wedges

Note: HDI and NHDI (No-Tilt) inboard slide models are first fit assemblies only and are not available through the Fontaine Fifth Wheel aftermarket at this time.



7000
55,000 lbs vertical load
Up to 140,000 lbs GCW



H7
70,000 lbs vertical load
Up to 180,000 lbs GCW

7000 HDI Part Number	H7 HDI Part Number (Add 70 lbs)	Fifth Wheel Height	Slide Length	7000 Weight
SL7HDI750012	SLH7HDI750012	7-1/2"	12"	525
SL7HDI850012	SLH7HDI850012	8-1/2"		533
SL7HDI950012	SLH7HDI950012	9-1/2"		542
SL7HDI1050012	SLH7HDI1050012	10-1/2"	24"	552
SL7HDI750024	SLH7HDI750024	7-1/2"		561
SL7HDI850024	SLH7HDI850024	8-1/2"		569
SL7HDI950024	SLH7HDI950024	9-1/2"	578	
SL7HDI1050024	SLH7HDI1050024	10-1/2"	588	
SL7HDI750036	SLH7HDI750036	7-1/2"	36"	596
SL7HDI850036	SLH7HDI850036	8-1/2"		604
SL7HDI950036	SLH7HDI950036	9-1/2"		614
SL7HDI1050036	SLH7HDI1050036	10-1/2"	623	
SL7HDI750048	SLH7HDI750048	7-1/2"	48"	632
SL7HDI850048	SLH7HDI850048	8-1/2"		640
SL7HDI950048	SLH7HDI950048	9-1/2"		649
SL7HDI1050048	SLH7HDI1050048	10-1/2"		659

No-Tilt: To order with no-tilt hardware installed add **N** after fifth wheel code. Example: SL7NHD1850012. No-tilt hardware adds 8 lbs to assembly.



Aftermarket No-Tilt Kit. HDI mounts can be converted to no-tilt fifth wheels by ordering easy to install kit (part number **KIT-NO-TILT**). Same kit works for HDS, HDI, PMH or PMX mounts.

No-tilt mount kits are not available for 7" height fifth wheels.



Heavy/Severe-Duty Stationary Mount Assemblies

Adjustable Stationary Mounts No-Slack® 7000/H7 PMH & PMX Heavy/Severe-Duty Stationary Mounts



NO-TILT option for frame dump applications—simply flip the four levers on the mount to block the fifth wheel from rocking

Features

- **New** adjustable stationary tilt/no-tilt mount assemblies
- Easy to operate—Simply disengage four stops to switch from a no-tilt to a rocking fifth wheel. Quick. Easy. NO TOOLS.
- Built to take it—These robust fifth wheels handle the toughest loads with improved stability on the road and at the job site.
- Add flexibility to your fleet with these durable, convertible fifth wheel mounts—perfect for standard and frameless dump applications.
- Choice of two popular bolt patterns available; PMH and PMX.

PMH (39-1/2" wide plate)



7000
55,000 pounds vertical load
Up to 140,000 lbs GCW



H7
70,000 pounds vertical load
Up to 180,000 lbs GCW

7000 PMH Part Number	H7 PMH Part Number (Add 70 lbs)	Fifth Wheel Height	Bolt Centers	7000 Weight
SL7PMH7500	SLH7PMH7500	7-1/2"	37-1/4"	387 lbs
SL7PMH8500	SLH7PMH8500	8-1/2"		396 lbs
SL7PMH9500	SLH7PMH9500	9-1/2"		406 lbs

No-Tilt: To order with no-tilt hardware installed add **N** after fifth wheel code. Example: SL7NPMH7500. No-tilt hardware adds 8 lbs to assembly.

PMH mounts can be converted to no-tilt fifth wheels in the field. See aftermarket kit photo and description below.

PMX (40-1/2" wide plate)



7000
55,000 pounds vertical load
Up to 140,000 lbs GCW



H7
70,000 pounds vertical load
Up to 180,000 lbs GCW

7000 PMX Part Number	H7 PMX Part Number (Add 70 lbs)	Fifth Wheel Height	Bolt Centers	7000 Weight
SL7PMX7500	SLH7PMX7500	7-1/2"	38"	394 lbs
SL7PMX8500	SLH7PMX8500	8-1/2"		399 lbs
SL7PMX9500	SLH7PMX9500	9-1/2"		409 lbs

No-Tilt: To order with no-tilt hardware installed add **N** after fifth wheel code. Example: SL7NPMX7500. No-tilt hardware adds 8 lbs to assembly.



Aftermarket No-Tilt Kit.

PMH and PMX mounts can be converted to no-tilt fifth wheels by ordering easy to install kit (part number **KIT-NO-TILT**). Same kit works for HDS, HDI, PMH or PMX mounts.

Helpful Information

What is the warranty coverage?

Fontaine's warranty is for five years covering parts for material and workmanship. There are a few exceptions. See our existing warranty statement or call us at 800-874-9780 for more information. Warranty document is at www.fifthwheel.com (Choose "Support" and then "Warranty").

What is the recommended maintenance procedure?

Recommended maintenance is at least every 90 days or 50,000 miles. All recommended practices are located in the Fifth Wheel Handbook supplied with every unit shipped or may be obtained at www.fifthwheel.com (Choose "Support" and then "Helpful information" LT-001 Instruction Handbook).

What if my fifth wheel is hard to open?

Make sure a pre-service lubrication has been completed before unit is put in service. Make sure the driver is backing tight against the trailer after setting the trailer brakes. This will reduce any tension or pressure on the locking jaw and wedge. **DO NOT dump chassis air bags before uncoupling from trailer.** Make sure the wedge-stop rod is properly set to the recommended gap. Make sure the truck and trailer are not in a bind or twist (No daylight between top plate and trailer plate). Check for any lower mount obstructions or interference underneath the wheel. Check for damage to the fifth wheel.

Can I change the height of my fifth wheel?

Changing fifth wheel height can be as simple as changing the brackets. It all depends on the type of application, style of fifth wheel and the type of existing base. These factors will determine just how high or low you can go.

How much wear is allowed for a kingpin?

According to SAE J2228 - Kingpin Wear Limits, if the upper shoulder which is 2.875" new or the smaller 2" diameter is worn more than .125 (1/8)" the kingpin should be replaced.

Does Fontaine provide a kingpin tool?

Yes! Go to "www.fifthwheel.com/wtb" to find out where you can purchase the No-Slack® test kingpin tool near you (part number KITKPT).



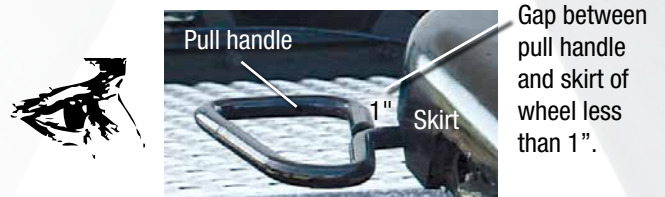
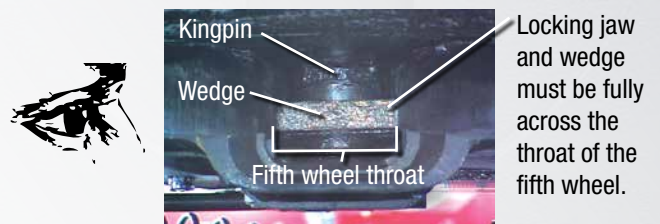
How can I tell if my fifth wheel is properly locked?

Verify secure coupling with a "tug test", by easing the tractor forward, with the trailer brakes on, to feel resistance of the load. Set the parking brakes on the tractor and trailer and get out of the tractor and visually inspect, using a flashlight, that the fifth wheel is properly closed.

IMPORTANT: Improperly coupled fifth wheel may in some circumstances be able to pass a "tug test". A visual inspection is always required.

The locking jaw and wedge must be fully across the throat of the fifth wheel, there must be no gap between the fifth wheel and the trailer plate, and the pull handle must be within 1" or less from the skirt of the fifth wheel. All three areas of the fifth wheel must be inspected to ensure that the fifth wheel is properly coupled.

Below are three critical areas of visual inspection that drivers must perform after every couple.



If the visual inspection indicates that you failed to obtain a proper couple, open the fifth wheel, inspect for damaged components, and repeat the coupling sequence.

FONTAINE SMARTCONNECT

The next evolution in predictive maintenance

- Gen 1** • Informs driver about lock status
- Gen 2** • Predictive maintenance modeling and telematics support
 - Add-on sensors for kingpin monitoring and trailer position

Available 2023



FONTAINE
FIFTH WHEEL

www.fifthwheel.com

Get connected. Stay connected.

800-874-9780 • Email: parts@fifthwheel.com

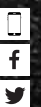
A Marmon | Berkshire Hathaway Company

IMPORTANT – Read and follow all product instructions before installation, use, and performing maintenance. Instructions available at www.fifthwheel.com.

Get the app @ FifthWheel.com/app

@FifthWheelParts

FontaineFifthWheel



©2023 Fontaine Fifth Wheel • Jan 2023 • LT-044 R41